

# Technical Data Sheet

## G11A Compressed Air Motor for High Viscosity Pumps

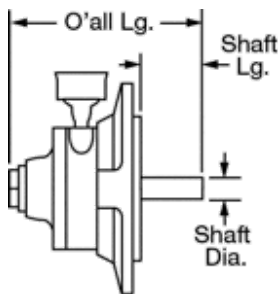
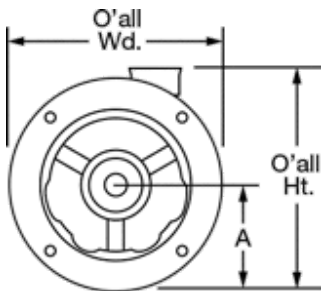


More than just pumps

### Specifications

**P/N FLU.01.005 (motor only)**

**P/N FLU.01.017 (w/hardware)**



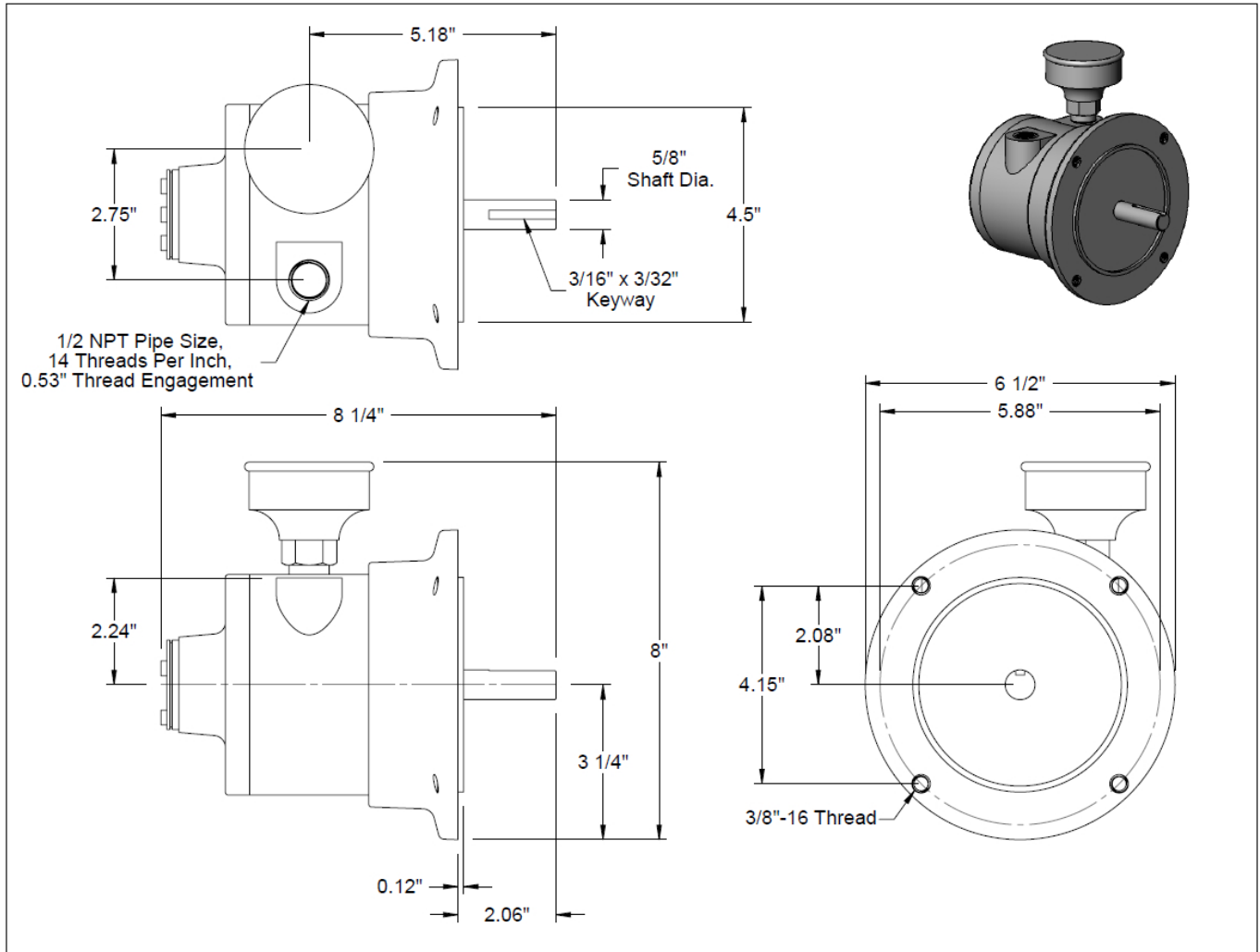
A safe alternative to electric motors for use in harsh environments, air-powered motors are spark-free and remain cool, even under continuous load. They come with a muffler to reduce noise and filter exhaust air.

@ Maximum rpm	
hp	4
Torque	84 in.-lbs.
Maximum rpm @ Maximum psi	
	3,000
Maximum psi	
	100
Torque @ 25% Maximum rpm	
	110 in.-lbs.
Torque @ 50% Maximum rpm	
	101 in.-lbs.
hp @ 25% Maximum rpm	
	1.38
hp @ 50% Maximum rpm	
	2.5
Maximum Air Consumption	
	128 cfm
Noise Level	
	90 dB
Air Quality	
	Particle Free, Water Free
Overall	
Length	8 1/4"
Width	6 1/2"
Height	8"
Shaft	
Diameter Length	5/8"
Center to Base (A)	2.06"
	3 1/4"
Rotation	
Type	Reversible
Key Stock	Keyed
	Included
Motor Design	
	Rotary Vane
Enclosure Material	
	Aluminum and Iron
Mounting Orientation	
	Horizontal, Vertical, Inverted, Any Angle
Inlet	
	1/2 NPT Female
Muffler	
	Included
Air Lubrication	
	Required
Related Product	
	<a href="#">Replacement Mufflers</a>

# Technical Data Sheet

## G11A Compressed Air Motor for High Viscosity Pumps

### Dimensional Drawing



#### FLUX PUMPS CORPORATION

300 Townpark Drive, Suite 130

Kennesaw, GA 30144, USA

Phone 800-367-3589

info@fluxpumpsusa.com

www.fluxpumpsusa.com