

Technical Data Sheet

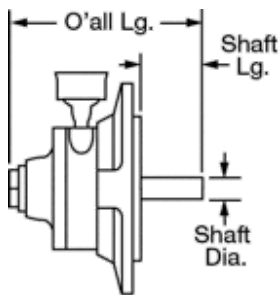
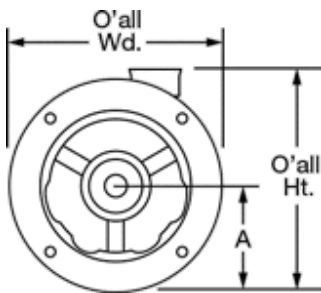
G22A Compressed Air Motor for High Viscosity Pumps



More than just pumps

Specifications

P/N FLU.01.002



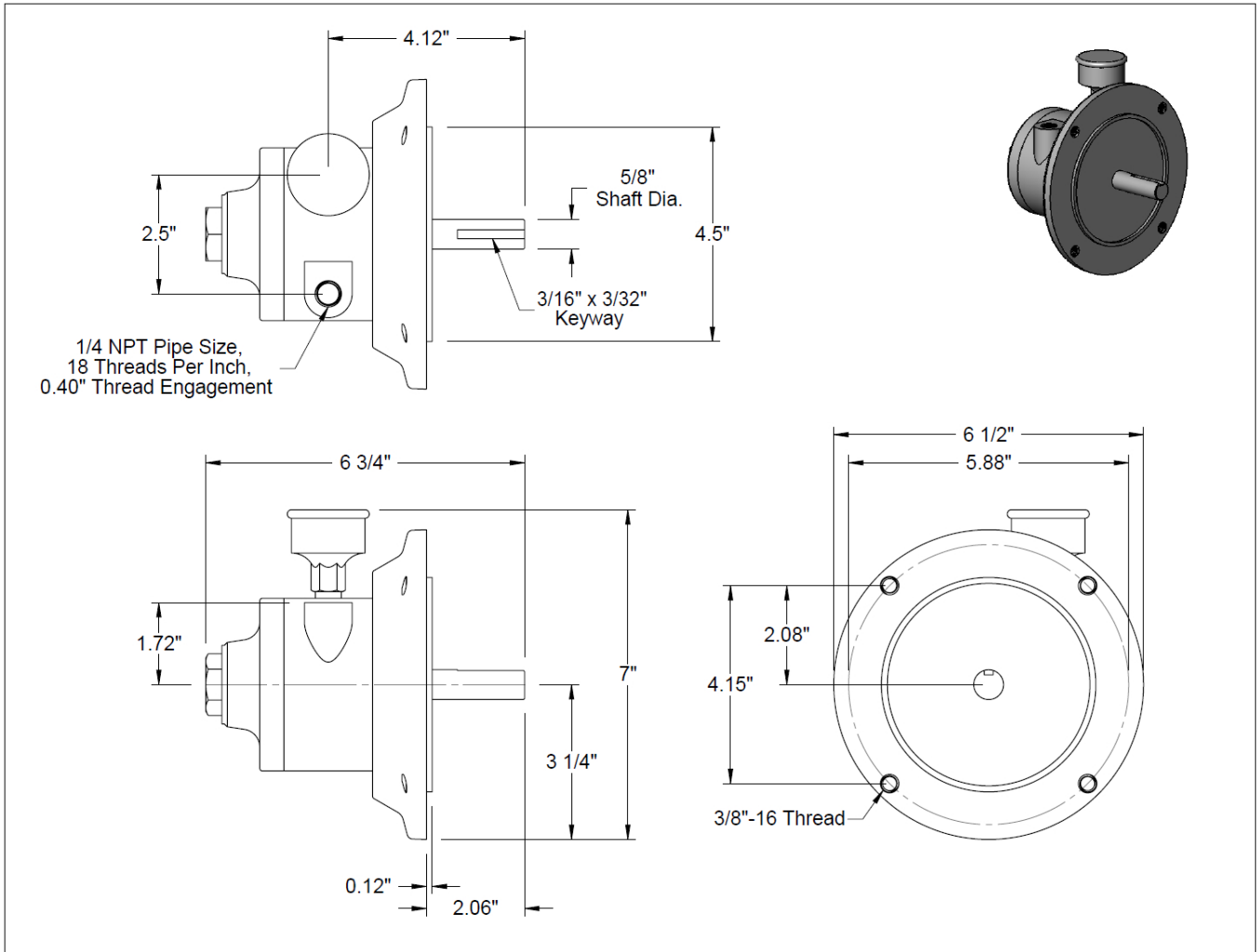
A safe alternative to electric motors for use in harsh environments, air-powered motors are spark-free and remain cool, even under continuous load. They come with a muffler to reduce noise and filter exhaust air.

@ Maximum rpm	
hp	1.7
Torque	36 in.-lbs.
Maximum rpm @ Maximum psi	
	3,000
Maximum psi	
	100
Torque @ 25% Maximum rpm	
	53 in.-lbs.
Torque @ 50% Maximum rpm	
	47 in.-lbs.
hp @ 25% Maximum rpm	
	0.65
hp @ 50% Maximum rpm	
	1.1
Maximum Air Consumption	
	78 cfm
Noise Level	
	87 dB
Air Quality	
	Particle Free, Water Free
Overall	
Length	6 3/4"
Width	6 1/2"
Height	7"
Shaft	
Diameter Length	5/8"
Center to Base (A)	2.06"
	3 1/4"
Rotation	
Type	Reversible
Key Stock	Keyed
	Included
Motor Design	
	Rotary Vane
Enclosure Material	
	Aluminum and Iron
Mounting Orientation	
	Horizontal, Vertical, Inverted, Any Angle
Inlet	
	1/4 NPT Female
Muffler	
	Included
Air Lubrication	
	Required
Related Product	
	Replacement Mufflers

Technical Data Sheet

G22A Compressed Air Motor for High Viscosity Pumps

Dimensional Drawing



FLUX PUMPS CORPORATION

300 Townpark Drive, Suite 130

Kennesaw, GA 30144, USA

Phone 800-367-3589

info@fluxpumpsusa.com

www.fluxpumpsusa.com