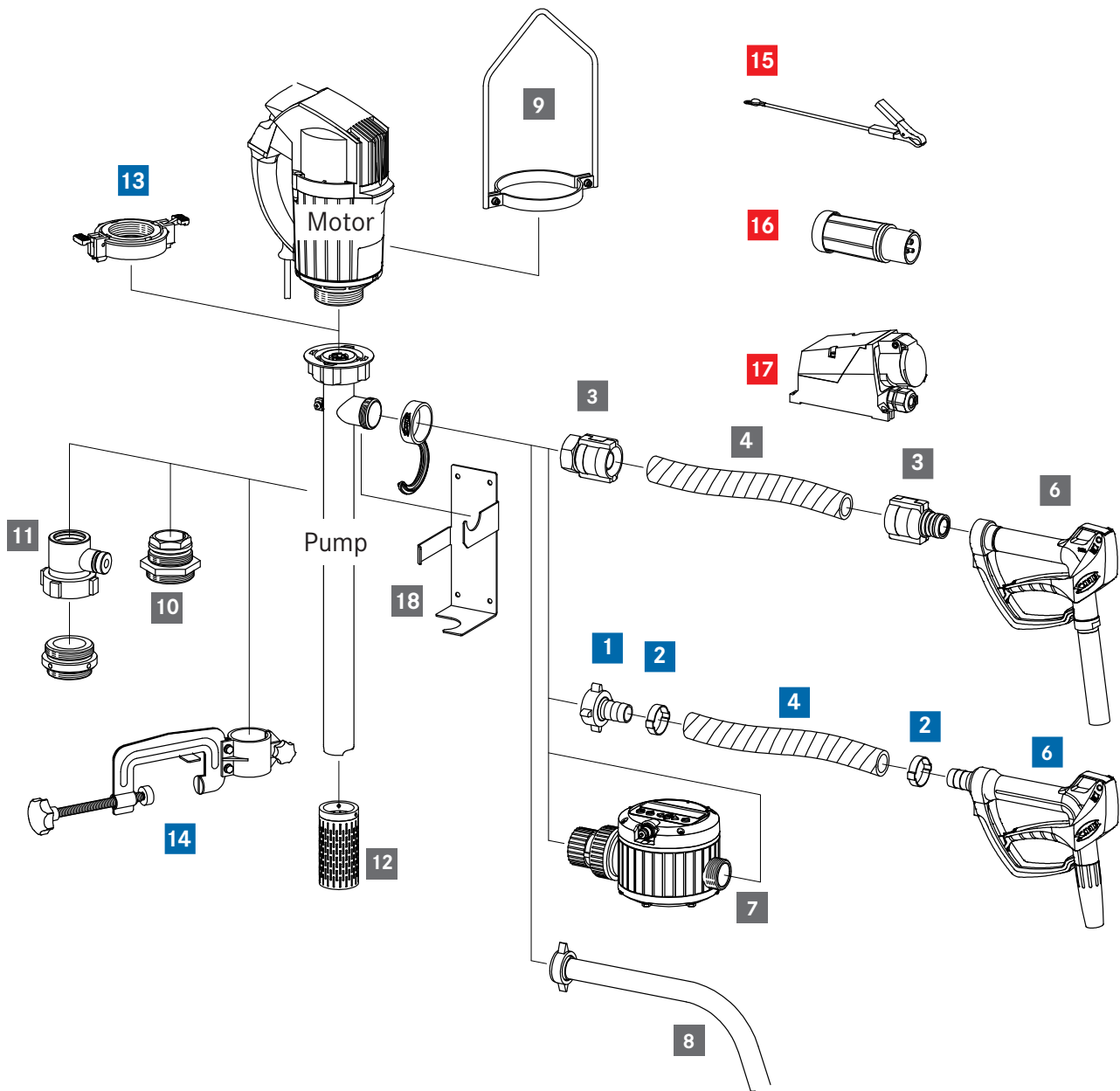


# Overview of FLUX Accessories

For 4 Series PVDF Drum & Container Pumps



More than just pumps



- 1** Hose connection
- 2** Hose clip
- 3** Swaged hose fitting
- 4** Hose
- 5** Hose kit (3+4 = hose kit)
- 6** Hand nozzle

- 7** Flow meters
- 8** Discharge spout
- 9** Carrying handle
- 10** Compression gland
- 11** FLUX fume gland
- 12** Suction strainer

- 13** Quick action coupling
- 14** Attachment clamp
- 15** Earth (ground) wire
- 16** Explosion-proof plug
- 17** Explosion-proof socket
- 18** Wall bracket

■ Safe for use in hazardous areas

■ Not for use in hazardous areas


■ Safe for use in both hazardous and non-hazardous areas

**FLUX PUMPS CORPORATION**  
 300 Townpark Drive, Suite 130  
 Kennesaw, GA 30144, USA  
 Phone 800-367-3589  
 info@fluxpumpsusa.com  
 www.fluxpumpsusa.com

# Overview of FLUX Accessories

For 4 Series PVDF Drum & Container Pumps



Map Key	Part Number	Description	
<b>1</b>	959.04.101	3/4" Hose Barb Connection	
	959.04.102	1" Hose Barb Connection	
	959.04.103	1-1/4" Hose Barb Connection	
<b>2</b>	959.13.242	3/4" Hose Clamp	
	959.13.246	1" Hose Clamp	
	959.13.249	1-1/4" Hose Clamp	
<b>4</b>	001.10.030	1" Hose for Food & Chem, PE Tube, EPDM Cover (sold per meter)	
<b>6</b>	001.12.501	3/4" Hand Nozzle, FKM elastomers	
	001.12.507	3/4" Hand Nozzle, EPDM elastomers	
	001.12.512	3/4" Hand Nozzle, FFKM elastomers	
	001.12.505	1" Hand Nozzle, FKM elastomers	
	001.12.511	1" Hand Nozzle, EPDM elastomers	
	001.12.514	1" Hand Nozzle, FFKM elastomers	
<b>7</b>	A0400006	FMC 100, ETFE, EPDM elastomers	
	A0400008	FMC 100, ETFE, FKM elastomers	
	A0400077	FMC 100, ETFE, FFKM elastomers	
<b>9</b>	001.10.533	Carrying Handle, F457	
	001.10.557	Carrying Handle, F458, F460, FBM4000Ex	
<b>10</b>	001.14.054	Compression Gland, PP, Conductive, 40/41mm	
	001.14.062	Compression Gland, PP, Conductive, 50mm	
<b>11</b>	001.14.181	Fume Gland, PP, Upper Valve, 40mm	
	001.14.182	Fume Gland, PP, Upper Valve, 41mm	
	001.14.243	Fume Gland, PP, Upper Valve, 50mm	
	001.14.218	Fume Gland, PP, Lower Ring, G2, 40/41mm	
	001.14.238	Fume Gland, PP, Lower Ring, G2, 50mm	
<b>12</b>	001.10.245	Suction Strainer, PVDF, 40/41mm	
	001.10.267	Suction Strainer, PVDF, 50mm	
<b>13</b>	001.10.802	Quick Action Coupling, SSK	
<b>14</b>	001.10.601	Attachment Clamp, Steel/Zinc Plated, 40/41mm	
	001.10.603	Attachment Clamp, Steel/Zinc Plated, 50mm	
<b>18</b>	001.10.426	Wall Bracket	