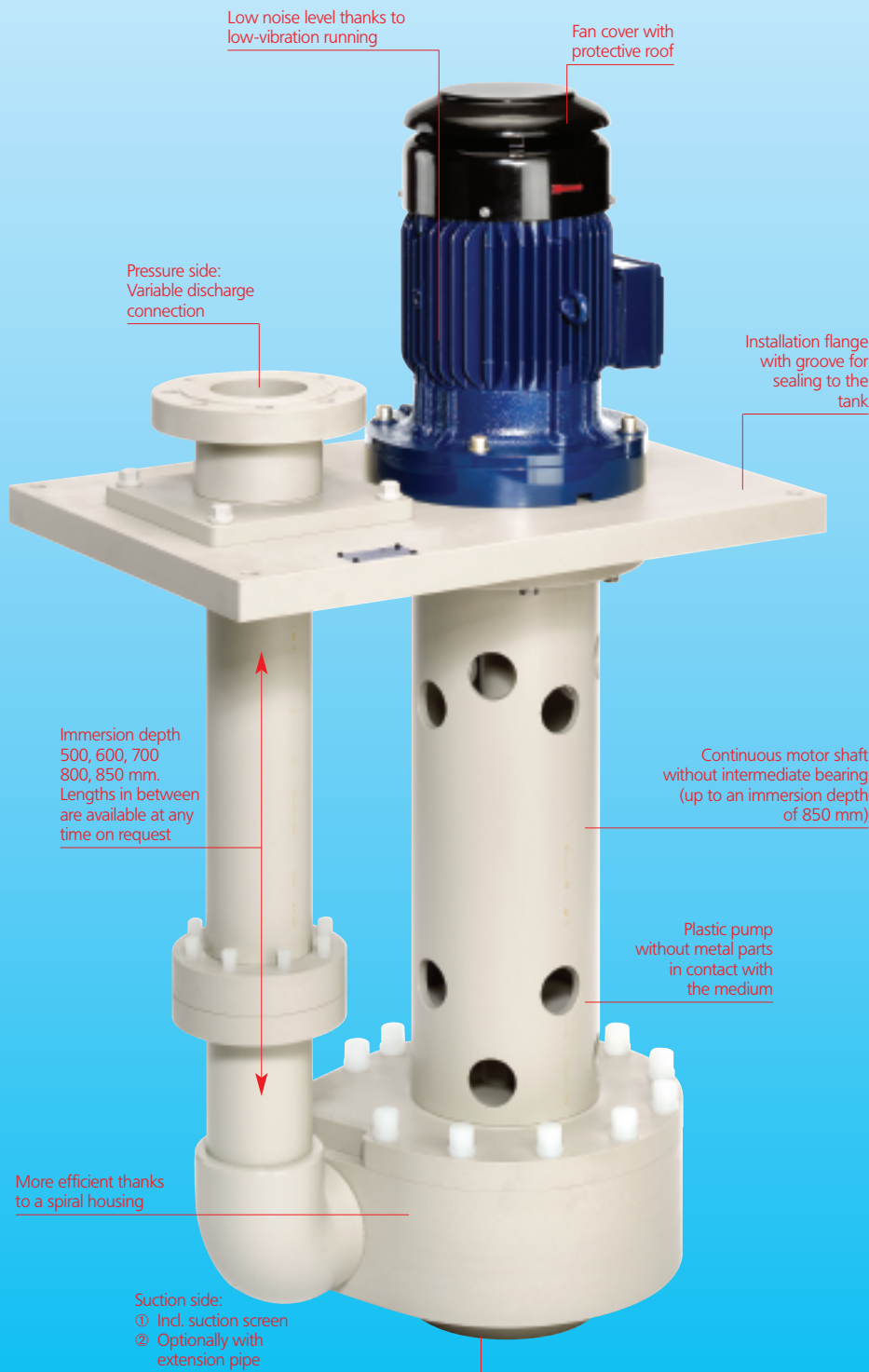


VERTICAL CENTRIFUGAL IMMERSION PUMP

Series RT6

safe to run dry without shaft
intermediate bearing up to an
immersion depth of 850 mm



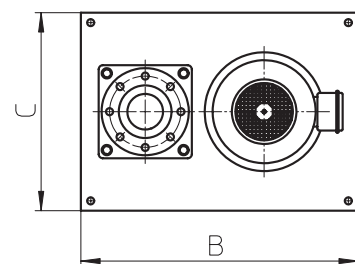
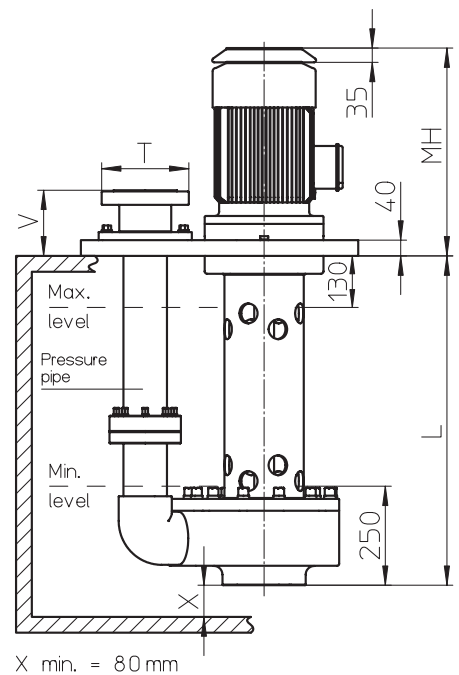
For piping in the tank, the pump is also available without a pressure pipe.



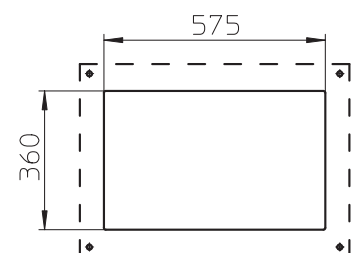
Note

Please refer to the detailed technical information on Pages 5 to 11, which applies to all modules.

Dimensions in mm



Installation opening



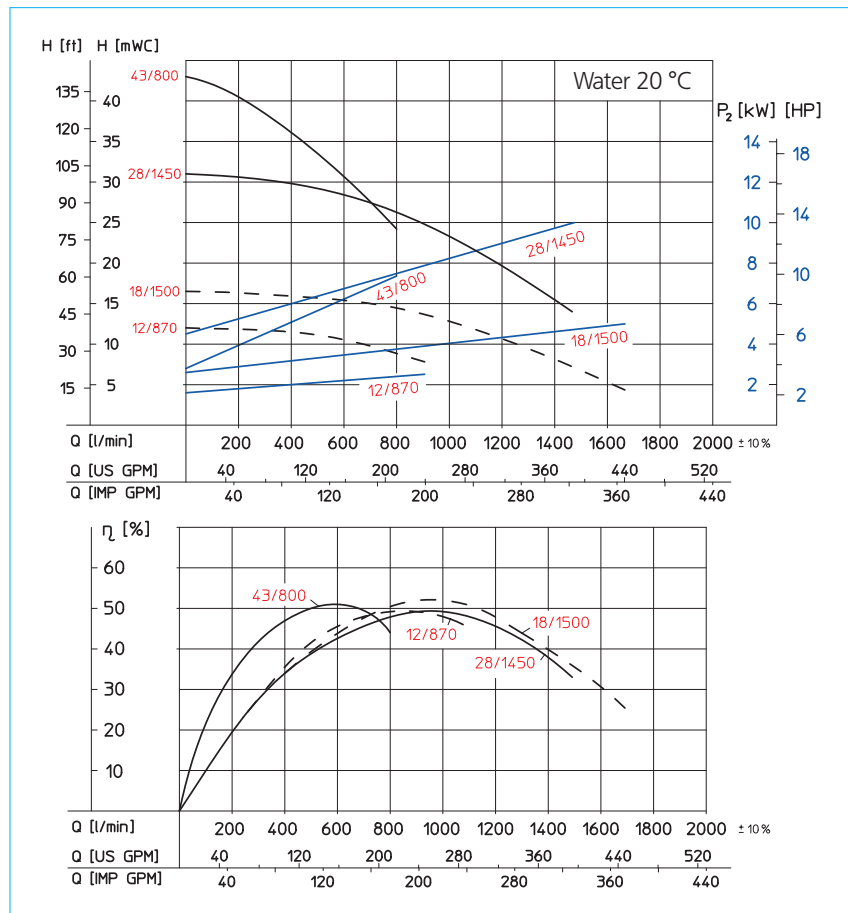
Precise documentation ensures planning reliability for your construction

On the basis of exact performance data, you can choose the exact pump that you need for your plants.

The Renner design and production principle also allows individual solutions to be realised.

Accessories

- Extension pipe VL max. = 500 mm
- Connecting cable completely wired with plug



Size		12/870	18/1500	28/1450	43/800
Hydraulic data					
Max. delivery rate	[l/min / US GPM]	900 / 238	1700 / 449	1500 / 396	800 / 211
Max. delivery head	[mWC / ft.]	12 / 39.4'	17 / 55.8'	31 / 102'	43 / 141'
Motor data					
Motor power P ₂ * at 50 Hz	[kW / HP]	4 / 5.5	7.5 / 10	12.5 / 17	7.5 / 10
Motor power P ₂ * at 60 Hz	[kW / HP]	4.8 / 6.5	9 / 12	15 / 20	9 / 12
Speed at 50 Hz	[rpm]	1450	1450	2850	2850
Speed at 60 Hz	[rpm]	1750	1750	3450	3450
Voltage		400 V 3-ph. **			
Protection type		IP55 ***			
Dimensions					
Installation height [MH]	[mm / inch]	406 / 16"	518 / 20.4"	518 / 20.4"	425 / 16.7"
Connections	Suction side ①	Suction screen			
	Suction side ②	without thread			
	Pressure side [T]	Flange d110DN100	Flange d110DN100	Flange d110DN100	Thread G 2 3/4

Immersion depth L	[mm / inch]	500/19.7"	600/23.6"	700/27.5"	800/31.5"	850/33.5"
Discharge connection height [V]	[mm / inch]	Standard = 166 / 6.5" alternatively with other dimensions, rotatable, with elbow 90°, lapped flange etc.				
Installation flange [B], [C]	[mm / inch]	700 x 500 / 27.5" x 19.7" other dimensions always possible, also available as a round flange				

* All pumps are also available with smaller impeller diameters for liquids with higher specific gravities although this reduces the delivery rates and delivery heads. If necessary, please consult us.

** All international voltages and frequencies are available.

*** Other protection types on request.

Exclusive North American Sales
& Service By:



More than just pumps

FLUX PUMPS CORPORATION

300 Townpark Drive, Suite 130

Kennesaw, GA 30144, USA

Phone 800-367-3589

info@fluxpumpsusa.com

www.fluxpumpsusa.com